

**NO** – «Dark Light» taklampe med redusert blending på grunn av inntrukne LED dioder. Leveres med hurtigkobling for rask og enkel montering.

**EN** - «Dark Light» Anti-glare LED ceiling lamp reduces glare index due to how the LED is placed. Quick connection, slim and nice design enables wide use.

**DE** - «Blendfrei» Deckenleuchte mit Blendreduzierung durch tief eingelassene LED-Dioden. Aufregendes Design, niedrige Bauhöhe und schnellverbinder für eine schnelle und einfache montage.



**Tilkobling/Connection/Verbindung:**

200/240VAC 50Hz  
15W +/- 1W

**Lys/Licht/Light:**

LED, Genesis  
1650Lm / 3000Kelvin  
100°  
CRI>80

**Dimbar/Dimmable:**

1 – 100%, Trailing edge  
L70B50>50.000h

**Beskyttelse/Protection/Schutz:**

IP 40, Klasse II,  
Operating temperature: -20°C~45°C

**Montering/Assenby/Montage:**

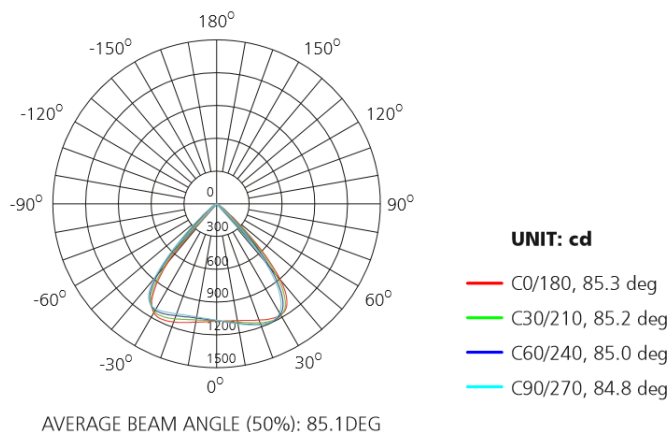
Surface mount / Ceiling box 83mm / Oberfläche  
Hurtigklemme / Quick connector /  
Schnellverbinder

**Mål/Dimension/Abmessungen:**

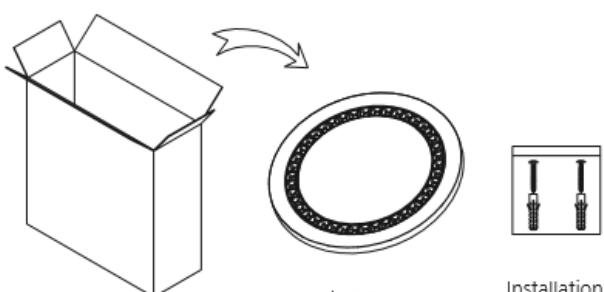
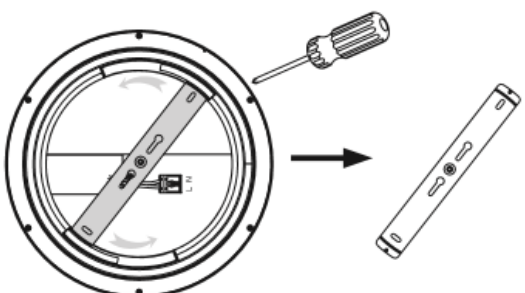
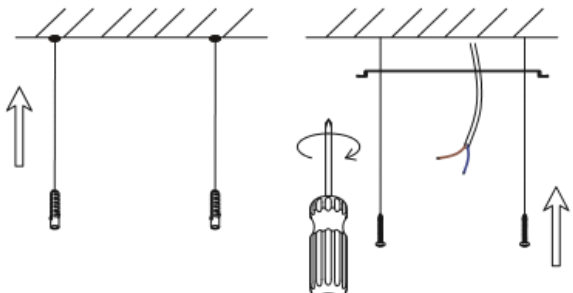
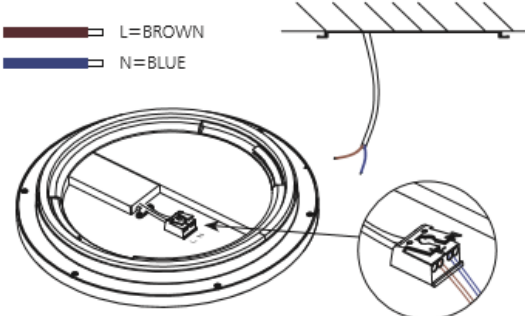
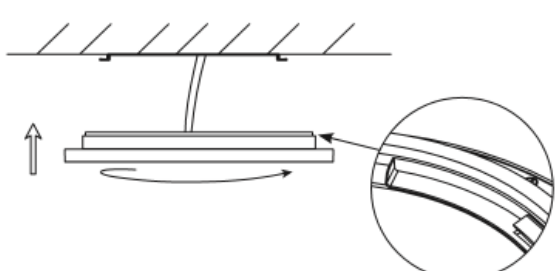
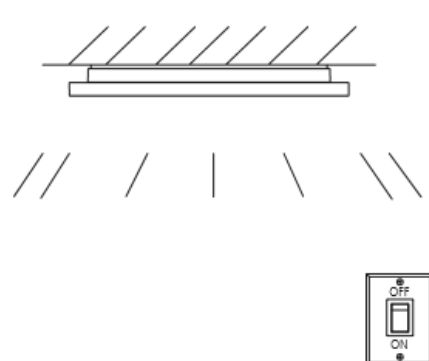
Ø:300mm H:33mm



**Polar Diagram Comparison**



**Installation**

|  |  |
|--|--|
|  <p>1</p> <p>Lamp</p> <p>Installation accessories</p>   |  <p>2</p> <p>Pull out the bracket anticlockwise by screw driver, take out the bracket.</p> |
|  <p>3</p> <p>Knock the plastic anchor into ceiling, fix the bracket with screws on the ceiling.</p>                    |  <p>4</p> <p>Wire "L""N" to terminal block.</p> <p>L=BROWN<br/>N=BLUE</p>                 |
|  <p>5</p> <p>Push the lamp upward and rotate it into bracket. Rotate the lamp clockwise until it is firmly fixed.</p> |  <p>6</p>  |

**Packaging Information**

|        | SIZE(CM) | N.W/pc (KGS) | G.W.(KGS) | QTY(PCs) |
|--------|----------|--------------|-----------|----------|
| Carton | 42*33*33 | 0.88         | 9.7       | 10       |



**5 YEAR**  
Warranty